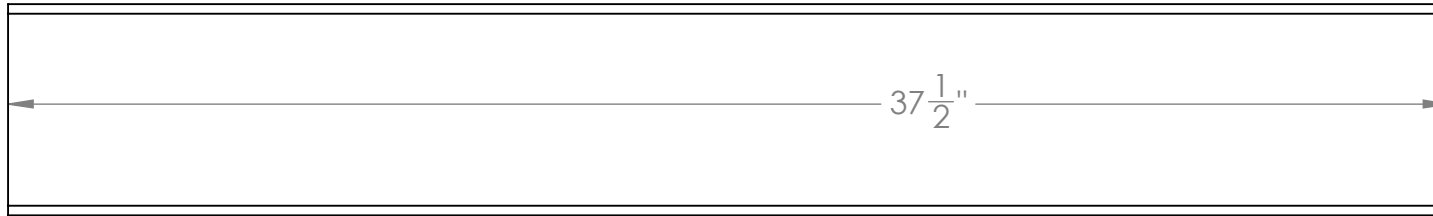
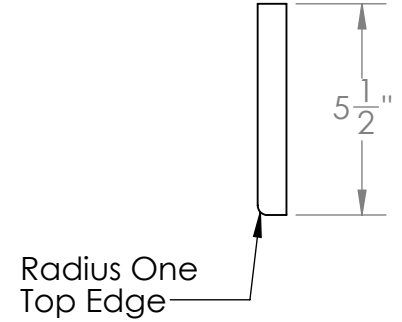
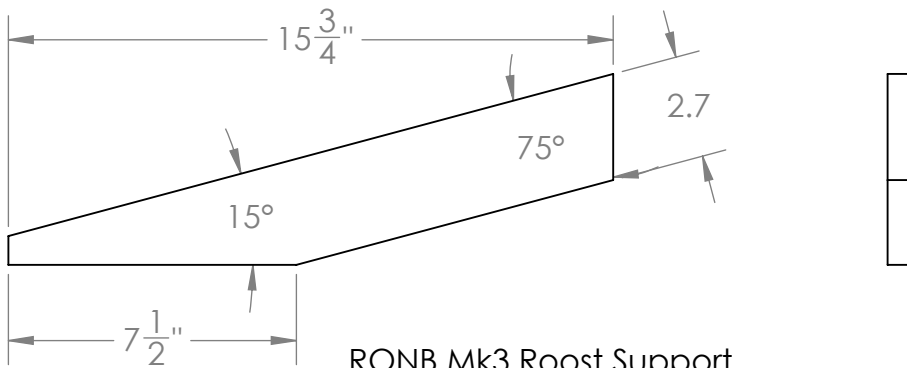
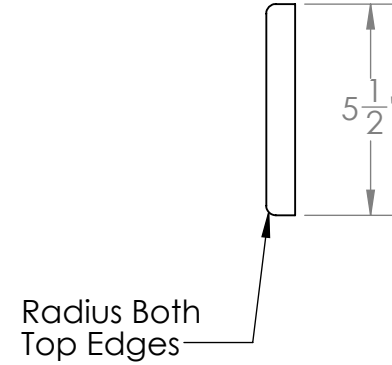


RONB Mk3 Upper Roost
Material 3/4" Pine



RONB Mk3 Lower Roost
Material 3/4" Pine



RONB Mk3 Roost Support
Material 3/4" Pine

Note: I use 2 pocket screws on each end to fasten the roosts to the support.